



Self-contained Hopper Loader

SAL-6U

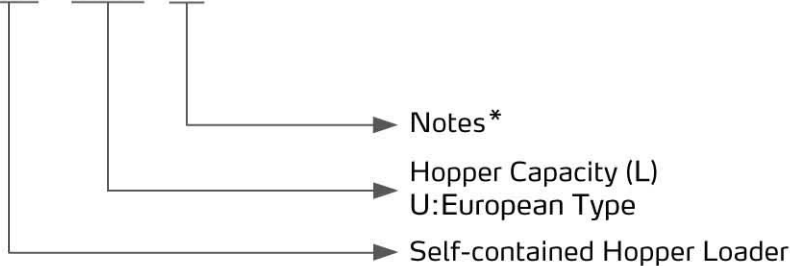


Refer carefully to this manual before operation.

SAL-U Series

■ Coding Principle

SAL - xxxU -xx



Notes:*

A = Add Air Accumulator P = For Polished Hopper Inside
CE = CE Conformity

■ Features

Standard configuration

- SAL-1U~SAL-12U (-E) adopt carbon brush motor with fast rotating speed and large air quantity while maintain compact appearance, easy for movement and installation.
- Wire-control controller is convenient to use with automatic cleaning function.
- Equipped with motor soft start function and carbon brush consumption prompt (except for three-phase motor).
- Wire connection point for SPV-U.
- Hopper and base mount positions are adjustable.
- Differential pressure switch is applied and screener blockage alarm is available (Applicable to SAL-1U~12U (E)).
- SAL-U has a reed switch, while SAL-U-E adopts photosensor switch with high sensitivity and stable quality.
- All models equipped with hinged hopper lid that are connected by hinge for easy mesh cleaning.
- SAL-3U and above model has an outer dia. Φ 275 mm base, which can work with all "European type" hopper dryers except SHD-20U and all "Standard" hopper dryers above SHD-75.
- SAL-1U has an outer dia. Φ 200 mm base, transitional flange must be mounted when this series works with SHD-20U/40U.
- All SAL-U series machines have cloth mesh filter and auto-spraying dust cleaner as standard equipments. For SAL-6U and above models, it is available to select air accumulator to enhance purging and reduce manually clean time. In order to maintain good function, SAL-U-3 series also has standard cloth mesh filter and motor reverse cleaning function without optionally select air accumulator and reverse cleaning kit.

Accessory options

- Optionally provide multi-functional installation frame HMB-900 with 900 mm largest dia. adjusting range for selection.
- Provide both standard and optional heat-insulated Euro collective hopper SCH-6U/12U/24U to mount directly on moulding machine feeding port when magnetic proximity switch type hopper loader is used for material loading.
- Reinforcing auto cleaning of air accumulator is optional (Applicable to SAL-6U/12U).
- Buzzer is an option (Applicable to SAL-U-3).
- Quick mixing valve can be opted to work with proportional valve to enhance mixing effect.



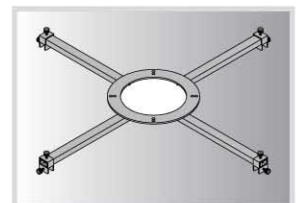
SAL-6U-3



SAL-1U

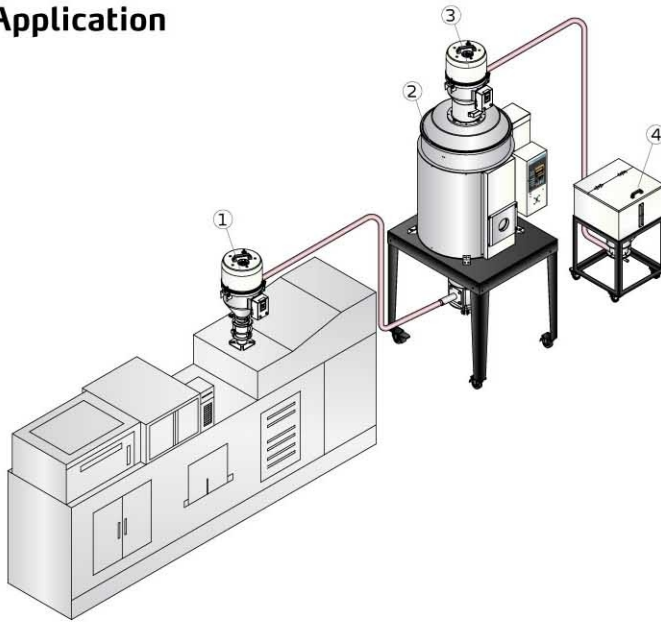


Air Accumulator



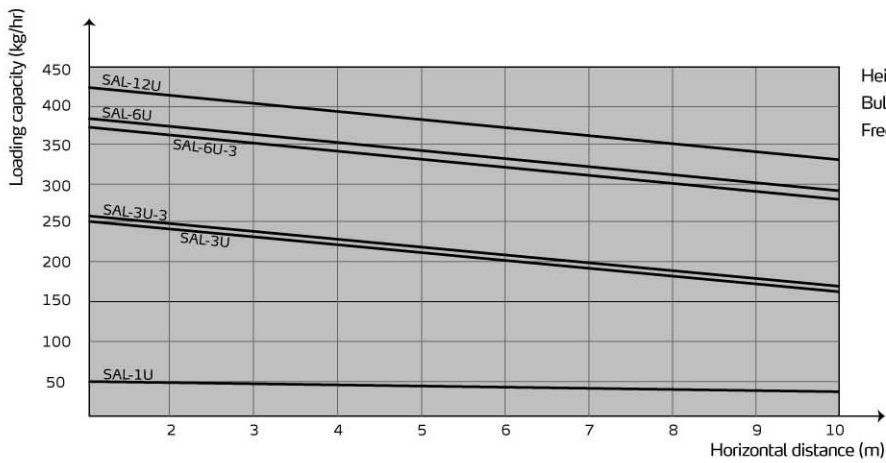
HMB-900

Application



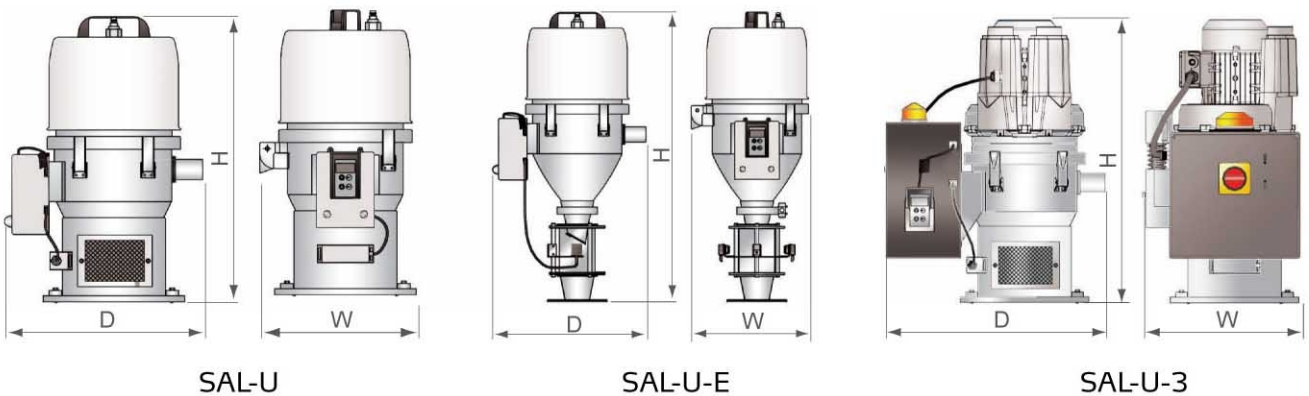
1. Self-contained hopper loader (SAL-U-E)
2. Hopper dryer
3. Self-contained hopper loader (SAL-U)
4. Material tank

Loading Capacity



Height: 4 m
Bulk density: 0.65 kg/L
Frequency: 60Hz

Outline Drawings



SAL-U Series

■ Specifications

Model	SAL-1U	SAL-3U	SAL-6U	SAL-12U	SAL-1.5U-E	SAL-3U-E	SAL-6U-E	SAL-12U-E	SAL-3U-3	SAL-6U-3
Motor Type	Carbon brush								Inductive	
Motor Power (kW, 50/60Hz)	0.46/0.55	1.15/1.32	1.15/1.32	1.15/1.32	1.15/1.32	1.15/1.32	1.15/1.32	1.15/1.32	0.37/0.42	0.75/0.85
Conveying Pipe Dia. (inch)	1.5	1.5	1.5	1.5	1.5	1.5	1.5	1.5	1.5	1.5
Conveying Capacity (kg/hr)	30	200	300	400	150	200	300	400	200	300
Hopper Capacity (L)	1	3	6	12	1.5	3	6	12	3	6
Power Supply	1 Φ , 115/230VAC, 50/60Hz								3 Φ , 230/400/460/575VAC, 50/60Hz	
Auto-cleaning Function	Standard	Standard	Standard	Standard	Standard	Standard	Standard	Standard	Standard	Standard
Air accumulator	-	-	Optional	Optional	-	-	Optional	Optional	-	-
Dimension										
H (mm)	525	555	645	745	670	740	800	935	610	700
W (mm)	270	305	340	340	260	305	340	340	340	380
D (mm)	325	370	410	410	325	370	410	410	475	540
Weight (kg)	10	11	12	14	11	13	16	18	18	33

Notes: 1) For polished hopper inside ones, add "P" at the end of model code.

2) Test condition of conveying capacity: plastic material of bulk density 0.65kg/L, dia. 3~5 mm, vertical conveying height: 4m, horizontal conveying distance: 1m.

3) Compressed air supply: 4~6kgf/cm².

We reserve the right to change specifications without prior notice.

Shini Group

Addr.: No. 23, Minhe St., Shulin Dist.,
New Taipei, Taiwan

Tel: +886 2 2680 9119

Fax: +886 2 2680 9229

Email: shini@shini.com

Factories:

- Taiwan
- Dongguan
- Pinghu
- Ningbo
- Mumbai

2013-04-15-04 Copyrights Reserved.

www.shini.com