

# NINGBO HAITIAN SMART SOLUTIONS TECHNOLOGY CO., LTD.

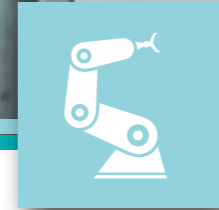
ADD: No.32 Jiangnan Zhong Road, Xiaogang, Beilun, Ningbo , P.R.China.

Zipcode: P.R.China 315801

Tel: +86-574-86185122 86185758

Fax: +86-574-86181692

E-Mail: [htsmart@mail.haitian.com](mailto:htsmart@mail.haitian.com)



## Auxiliary Equipment

**Product pickup**

V Series / Specification



WeChat Official  
Account

HT 20211202-CV



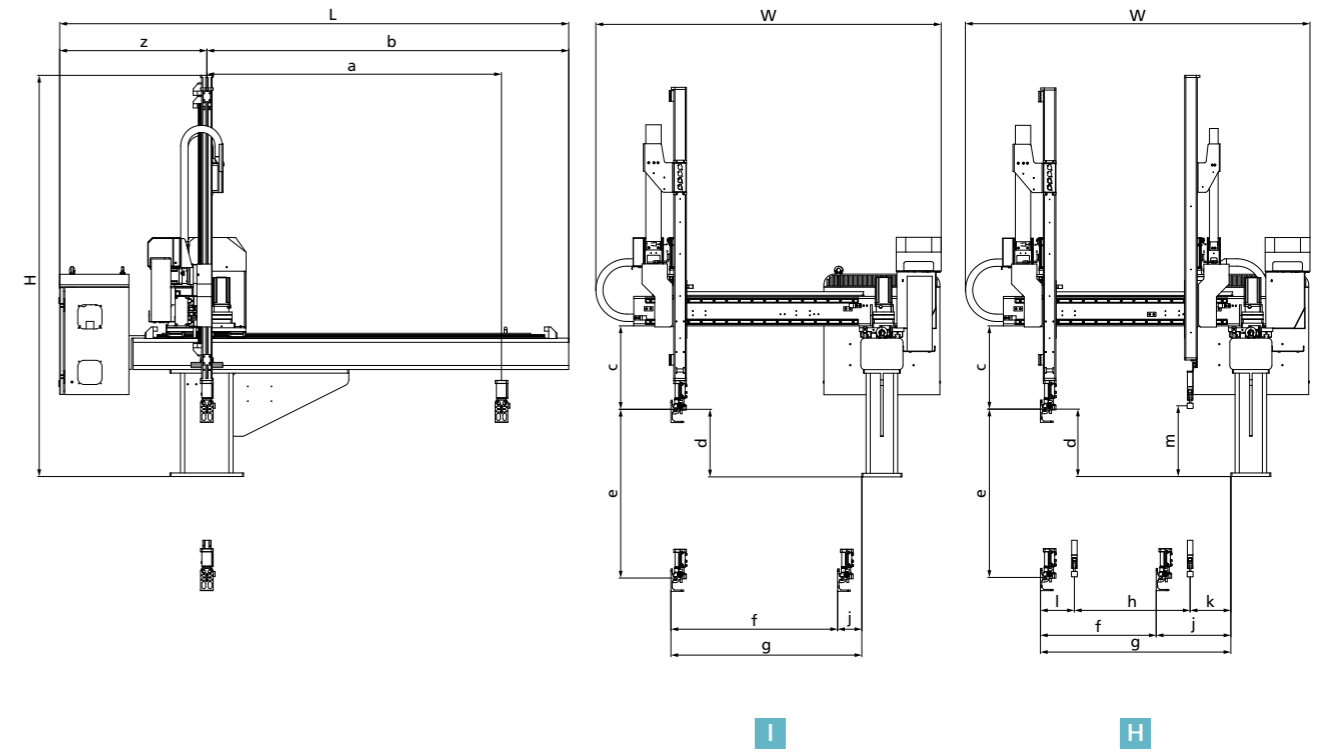


# V-I(H)S

V full servo  
Fit 40-470 t IMM  
More efficient  
More stable  
More faster



## Size & Data



## Basic reference

Model	Unit	Form of boom	IMM	Power to be consumed	Power supply	Capacity of power supply equipment	Air pressure	Amount of air to be consumed	Type of drive	Minimum pickup time	Full-circulation time (not including fixture)	Maximum load (including fixture)	Post torque	Weight
			ton	kW	-	kVA	MPa	NL/cycle	-	s	s	kg	N.m	kg
V-800IS			40-250	1.2		3	0.49	5.2		1.51	5.7	8	13	295
V-800HS			40-250	2.1		3	0.49	5.2		1.51	5.7	8	13	320
V-900IS		Singlecut suspension	250-380	1.2	AC single-phase 200V-240V 50/60Hz	3	0.49	5.4	Full servo drive	1.54	5.9	8	13	305
V-900HS	250-380		2.1	3		0.49	5.4	1.54		5.9	8	13	335	
V-1000IS			380-470	1.2		3	0.49	5.6		1.56	6.1	8	13	310
V-1000HS			380-470	2.1		3	0.49	5.6		1.56	6.1	8	13	340

## Specifications

Type	V-800		V-900		V-1000	
	V-800IS	V-800HS	V-900IS	V-900HS	V-1000IS	V-1000HS
L	2570	2570	2750	2750	2750	2750
W	1570	1570	1570	1570	1570	1570
H	1910	1910	2080	2080	2200	2200
a	1400	1400	1600	1600	1600	1600
b	1863	1863	2043	2043	2043	2043
c	391	391	391	391	391	391
d	320	320	370	370	370	370
e	800	800	900	900	1000	1000
f	790	600	790	600	790	600
g	900	900	900	900	900	900
h	-	600	-	600	-	600
j	110	300	110	300	110	300
k	-	150	-	150	-	150
l	-	150	-	150	-	150
m	-	365	-	415	-	415
z	690	690	690	690	690	690
Remark						

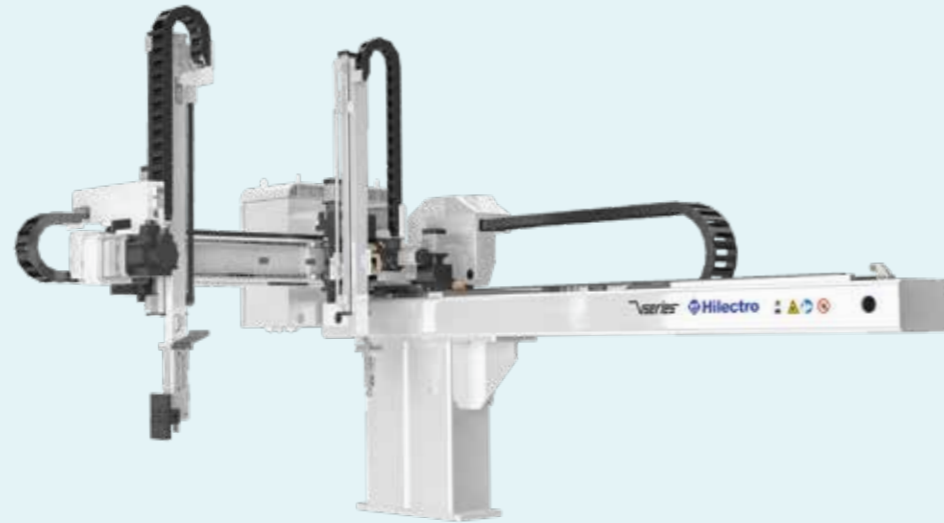


Home appliance Home furnishings Toy



# V-I(H)D

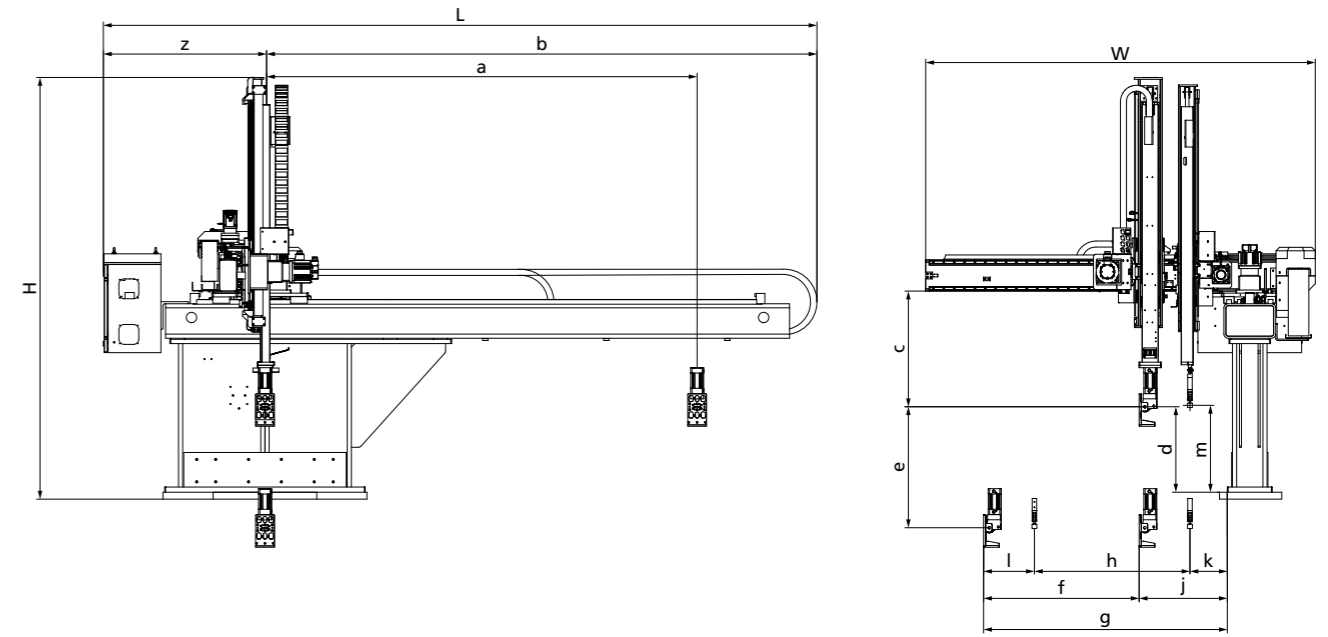
**V full servo**  
 Fit 380-1300 t IMM  
 More efficient  
 More stable  
 More faster



## Basic reference

Model	Unit	Form of boom	IMM	Power to be consumed	Power supply	Capacity of power supply equipment	Air pressure	Amount of air to be consumed	Type of drive	Minimum pickup time	Full-circulation time (not including fixture)	Maximum load (including fixture)	Post torque	Weight
		-	ton	kW	-	kVA	MPa	NL/cycle	-	s	s	kg	N.m	kg
V-1100ID			380-530	1.9		3	0.49	10.8		1.86	6.53	12	25	295
V-1100HD			380-530	2.9	AC single-phase 200V-240V 50/60Hz	3	0.49	10.8		1.86	6.53	12	25	320
V-1300ID			530-700	1.9		3	0.49	11.6		1.88	6.82	12	25	305
V-1300HD		Double-section suspension	530-700	2.9		3	0.49	11.6	Full servo drive	1.88	6.82	12	25	335
V-1500ID			700-1000	2.1		5	0.59	15		2.33	9	20	45	850
V-1500HD			700-1000	3.2	AC three-phase 380V-415V 50/60Hz	5	0.59	15		2.33	9	20	45	890
V-1700ID			1000-1300	2.1		5	0.59	15		2.43	9.1	20	45	865
V-1700HD			1000-1300	3.2		5	0.59	15		2.43	9.1	20	45	905

## Size & Data



## Specifications

Type	V-1100		V-1300		V-1500		V-1700	
	V-1100ID	V-1100HD	V-1300ID	V-1300HD	V-1500ID	V-1500HD	V-1700ID	V-1700HD
L	3100	3100	3340	3340	3990	3990	3990	3990
W	1780	1780	1780	1780	2260	2260	2260	2260
H	1830	1830	1950	1950	2400	2400	2520	2520
a	1800	1800	2000	2000	2500	2500	2500	2500
b	2226	2226	2226	2226	3075	3075	3075	3075
c	410	410	410	410	580	580	580	580
d	410	410	410	410	490	490	490	490
e	1100	1100	1300	1300	1500	1500	1700	1700
f	880	650	880	650	1280	1055	1280	1055
g	1100	1100	1100	1100	1530	1530	1530	1530
h	-	650	-	650	-	1055	-	1055
j	220	450	220	450	250	475	250	475
k	-	152	-	152	-	250	-	250
l	-	298	-	298	-	225	-	225
m	-	460	-	460	-	495	-	495
z	871	871	871	871	708	708	708	708

Remark



Home appliance



Home furnishings



Toy



# V-ID

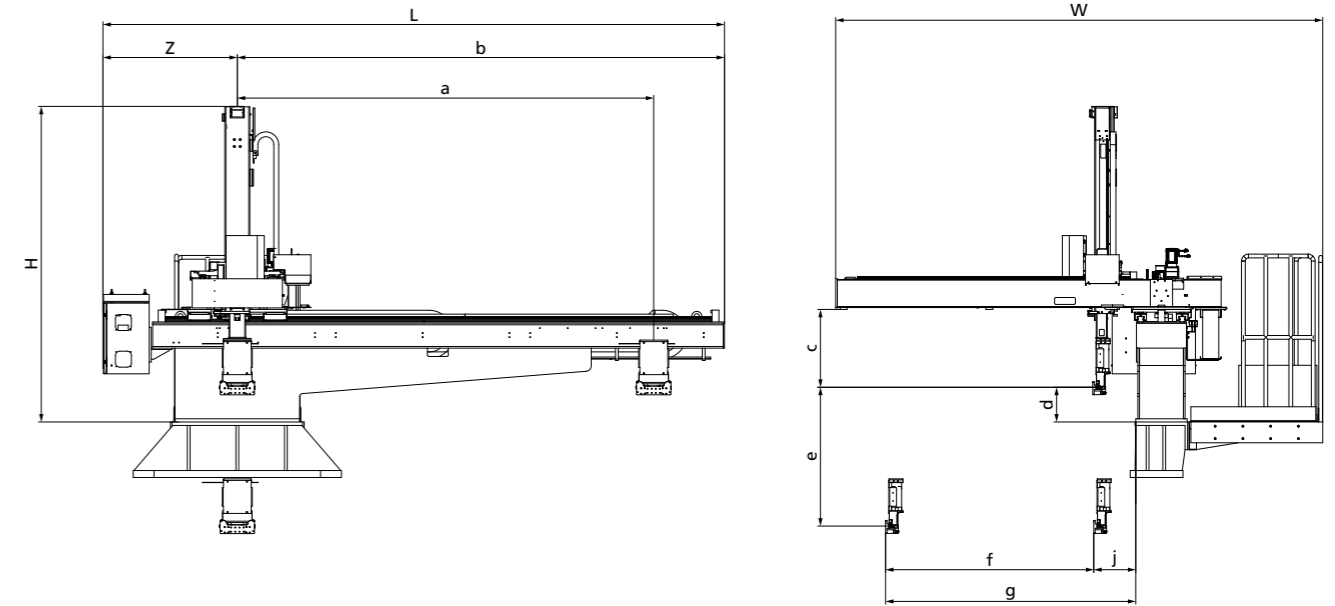
**V full servo**  
Fit 800-4000 t IMM  
More efficient  
More stable



## Basic reference

Model	Unit	Form of boom	IMM	Power to be consumed	Power supply	Capacity of power supply equipment	Air pressure	Amount of air to be consumed	Type of drive	Minimum pickup time	Full-circulation time (not including fixture)	Maximum load (including fixture)	Post torque	Weight
		-	ton	kW	-	kVA	MPa	NL/cycle	-	s	s	kg	N.m	kg
V-2000ID			800-1600	2.8		6	0.59	36.2		5.53	16.6	35	100	1274
V-2500ID		Double-section frame	1600-2100	4.0	AC three-phase 380V-415V 50/60Hz	10	0.59	38.1	Full servo drive	6.04	20	40	200	2630
V-3000ID			2100-4000	4.0		10	0.59	41.67		8.04	25	80	360	4400

## Size & Data



## Specifications

Type	V-2000ID	V-2500ID	V-3000ID
L	4475	5580	5980
W	3543	4222	4222
H	2290	3080	3320
a	3000	3500	4000
b	3510	4508	4700
c	555	719	819
d	250	445	345
e	2000	2500	3000
f	1590	1600	1600
g	1800	2150	2150
h	-	-	-
j	210	550	550
k	-	-	-
l	-	-	-
m	-	-	-
z	965	1072	1072
Remark			





# VS-ID High speed Series

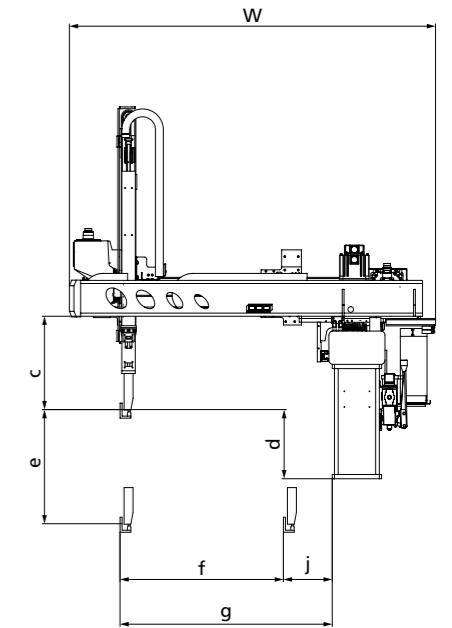
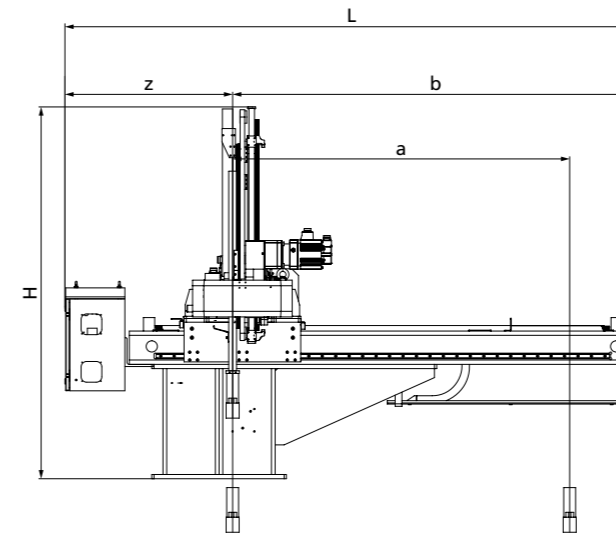
Fit 210-650 t IMM  
More faster  
More efficient



## Basic reference

Unit	Form of boom	IMM	Power to be consumed	Power supply	Capacity of power supply equipment	Air pressure	Amount of air to be consumed	Type of drive	Minimum pickup time	Full-circulation time (not including fixture)	Maximum load (including fixture)	Post torque	Weight
Model	-	ton	kW	-	kVA	MPa	NL/cycle	-	s	s	kg	N.m	kg
VS-1100ID	Double-section suspension	210-380	6.02	AC single-phase 200V-240V 50/60Hz	6	0.49	8.7	Full servo drive	0.86	3.81	2	5	660
VS-1300ID		380-650	6.02						0.91	3.96	2	5	680

## Size & Data



## Specifications

Type	VS-1100ID	VS-1300ID
L	3070	3250
W	1750	1750
H	1800	1920
a	1800	2000
b	2270	2510
c	390	390
d	410	410
e	1100	1300
f	700	700
g	900	900
j	200	200
z	871	871

Remark



