



## "Multi-station" Hopper Loader

SAL-5HP-UG124 & SHR-12U-S

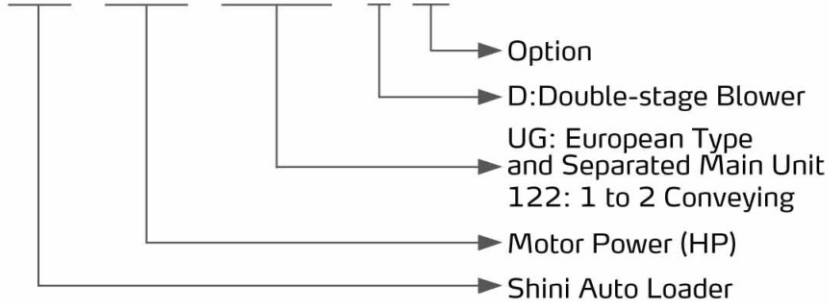


Refer carefully to this manual before operation.

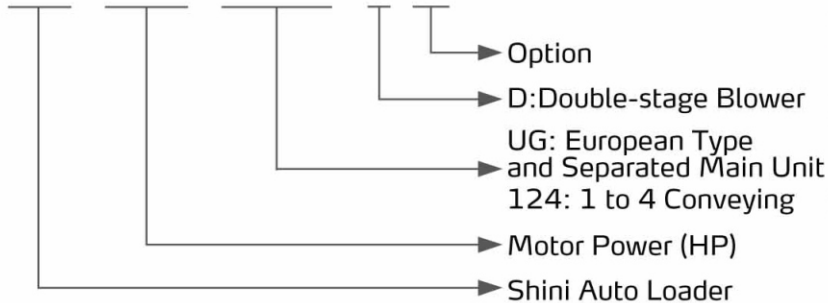
# SAL-UG122/UG124 Series

## ■ Coding Principle

SAL - xxHP - UG122 - D -xx



SAL - xxHP - UG124 - D -xx

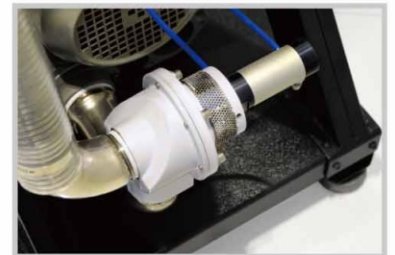


SAL-7.5HP-UG122

SHR-24U-S

## ■ Features

- "One-to-Two or One-to-Four" hopper loader can greatly lower the cost.
- Dust collective chamber features a cyclone separator and a dust collective bin to effectively reduce the load of the filter.
- Separate dust collector is convenient for dust cleaning.
- Main unit equips with faults and motor overload indicators to show faults fast.
- The main body of SAL-2HP~5HP equips with vacuum-breaking valve and SAL-7.5HP~10HP main body equips with vacuum valve to protect the blower.
- Standard equipped with alarm lamp.
- CE safety plug ensures safe and reliable operation.



Air accumulator auto washing

## ■ Application

"One-to-Two or One-to-Four" separate hopper loaders are designed and developed on the basis of original European separate-vacuum hopper loaders. They feature more functions, easy to operate, and convenient to install. This model, equipped with a high pressure blower and four SHR-U-S central vacuum hoppers, is applicable to four dehumidifying and drying machines (dehumidifying dryer "SDD") or one gravimetric blender "SGB" to process plastic materials. Besides that, it can also realize the "One-to-Two or One-to-Four" way of conveying materials to different molding machines or hoppers to greatly lower the cost.

# SAL-UG122/124 Series

## ■ SAL-UG122 Specifications

### Air accumulator auto Purging device



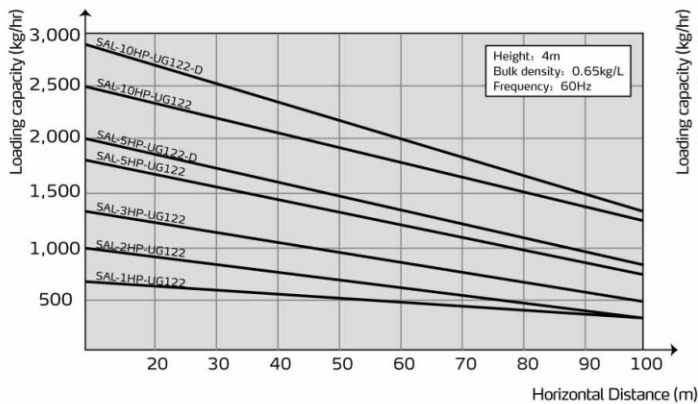
In the case of much impurity or recycled materials included in raw materials, main unit can be equipped with air accumulator auto washing unit as options, and add "A" at the end of model code. (Suitable for SAL-5HP-UG and models above)

### Buzzer

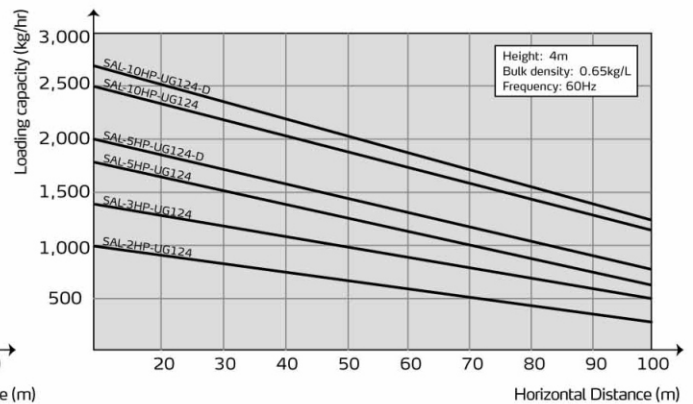


Buzzer is available as an option.

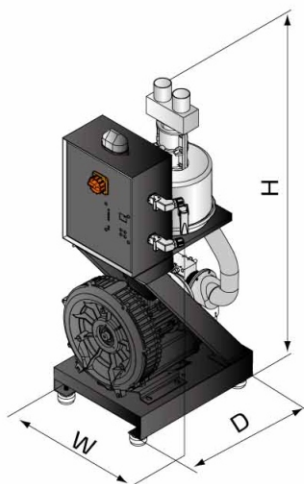
## ■ Loading Capacity (SAL-UG122)



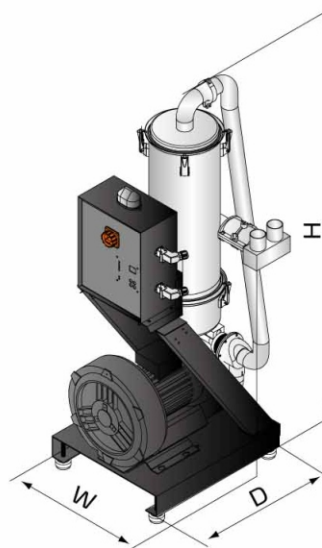
## ■ Loading Capacity (SAL-UG124)



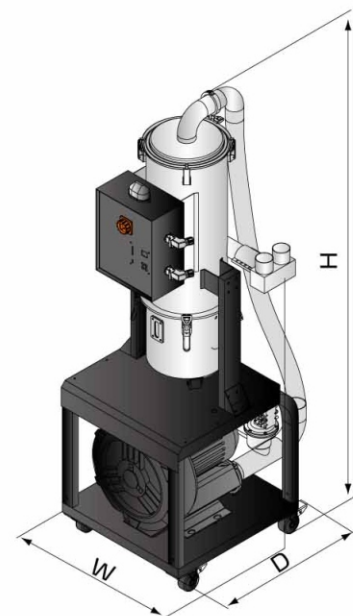
## ■ SAL-UG122 Dimension



SAL-1HP ~ 3HP-UG122

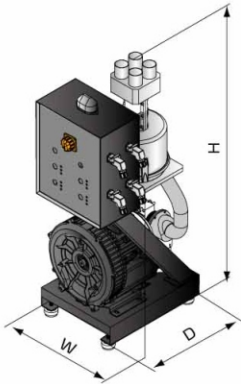


SAL-5HP-UG122

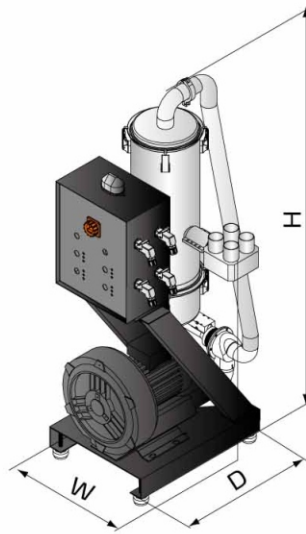


SAL-10HP-UG122

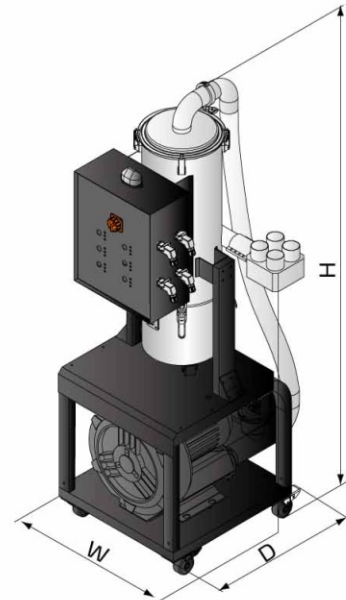
## SAL-UG124 Dimension



SAL-2HP-UG124



SAL-5HP-UG124



SAL-10HP-UG124

## SAL-UG122 Specifications

Model	Main Unit					Hopper Receiver				Conveying Pipe Dia. (inch)	Air Suction Pipe Dia. (inch)	Conveying Capacity			
	Motor Power (kW, 50/60Hz)	Specification	Dimension H×W×D		Weight		Applied to	Capacity				Weight	kg/hr	lb/hr	
			mm	inch	kg	lb		L	gal						
SAL-1HP-UG122	0.75/0.85	3Φ	1000×400×500	39.4×15.7×19.7	52	115	SHR-3U-S×2	3	0.8	4.5	9.9	1.5	2	400	882
SAL-2HP-UG122	1.5/1.8	3Φ			56	123	SHR-6U-S×2	6	1.6	7.5	17	1.5	2	550	1213
SAL-3HP-UG122	1.85/2.0	3Φ			60	132	SHR-12U-S×2					1.5	2	800	1764
SAL-5HP-UG122	3.75/4.2	3Φ	1380×505×590	54.3×20×23.2	175	386	SHR-12U-S×2	12	3.2	9	20	1.5	2	1200 2646	
SAL-5HP-UG122-D			1380×670×590	54.3×26.4×23.2	180	397	SHR-12U-S×2							1350 2976	
SAL-10HP-UG122	7.5/8.6	3Φ	1830×740×675	72×29×26.6	185	408	SHR-36U-S×2	36	9.5	12	26	2	2.5	1800 3968	
SAL-10HP-UG122-D			1830×900×675	72×35.4×26.6	192	423	SHR-36U-S×2							2000 4409	

Notes: 1) Test condition of conveying capacity: Plastic material of bulk density 0.65kg/L(5.5lb/gal), dia. 3~5mm/0.12~0.2inch, vertical conveying height: 4m/13.1feet, horizontal conveying distance: 5m/16.4feet.  
2) Power supply: 3Φ, 230/400/460/575V, 50/60Hz.

## SAL-UG124 Specifications

Model	Main Unit					Hopper Receiver				Conveying Pipe Dia. (inch)	Air Suction Pipe Dia. (inch)	Conveying Capacity			
	Motor Power (kW, 50/60Hz)	Specification	Dimension H×W×D		Weight		Applied to	Capacity				Weight	kg/hr	lb/hr	
			mm	inch	kg	lb		L	gal						
SAL-2HP-UG124	1.5/1.8	3Φ	1050×430×555	41.3×17×21.9	60	132	SHR-3U-S×4	3	0.8	4.5	9.9	1.5	2	550	1213
SAL-3HP-UG124	1.85/2.0	3Φ			65	143	SHR-6U-S×4	6	1.6	7.5	17	1.5	2	800	1764
SAL-5HP-UG124	3.75/4.2	3Φ	1380×565×615	54.3×22.2×24.2	175	386	SHR-12U-S×4	12	3.2	9	20	1.5	2	1200 2646	
SAL-5HP-UG124-D			1380×790×615	54.3×31×24.2	180	397	SHR-12U-S×4							1350 2976	
SAL-10HP-UG124	7.5/8.6	3Φ	1830×720×720	72×28.3×28.3	185	408	SHR-36U-S×4	36	9.5	12	26	2	2.5	1800 3968	
SAL-10HP-UG124-D			1830×900×720	72×35.4×28.3	192	423	SHR-36U-S×4							2000 4409	

Notes: 1) Test condition of conveying capacity: Plastic material of bulk density 0.65kg/L(5.5lb/gal), dia. 3~5mm/0.12~0.2inch, vertical conveying height: 4m/13.1feet, horizontal conveying distance: 5m/16.4feet.  
2) Power supply: 3Φ, 230/400/460/575V, 50/60Hz.

## Shini Group

Addr: No. 23, Minhe St., Shulin Dist.,  
New Taipei, Taiwan

Tel: +886 2 2680 9119

Fax: +886 2 2680 9229

Email: [shini@shini.com](mailto:shini@shini.com)

### Factories:

- Taiwan
- Dongguan
- Pinghu
- Ningbo
- Chongqing
- Pune

2015-08-15-04 Copyrights Reserved.

[www.shini.com](http://www.shini.com)