



## Hopper Dryer

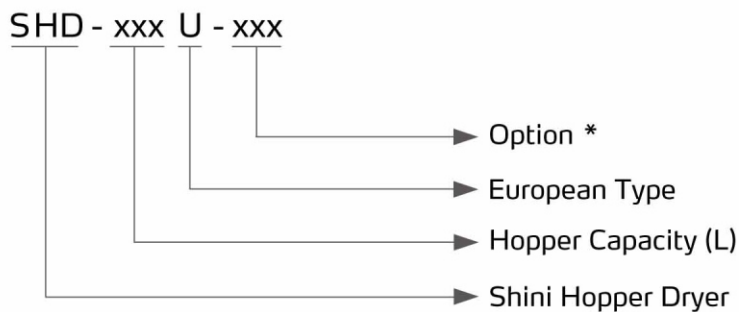
SHD-300U



Refer carefully to this manual before operation.

# SHD-U Series

## ■ Coding Principle

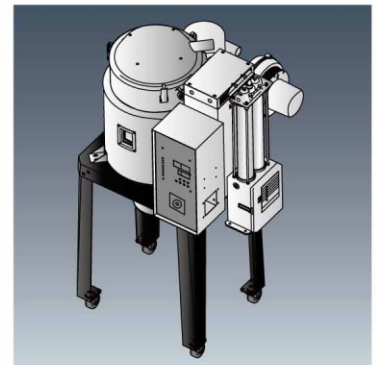


Notes: \*

P=Polished Hopper Inside

HD=Heatless Dehumidifying

CE=CE Conformity



SHD-80U-HD  
& Floor Stand (optional)

## ■ Features

### Standard configuration

- Microprocessor is used for accurate temperature control.
- Digital P.I.D. temperature control with LED display.
- Overheat protection to ensure reliable operation.
- 7-day automatic start/stop timer to improve energy saving.
- Unique design of down-blow air pipe can spread hot air evenly, keeping plastics dry and temperature stable to raise drying efficiency.
- SHD-80U and models above have material clearance door to make cleaning more convenient and effective.
- SHD-450U and models below are equipped with stainless steel lining aluminium base. SHD-600U~1200U is equipped with aluminium magnetic base. SHD-1500U and model above are equipped with manual butterfly valve.
- For SHD-900U models and above, floor stand is standard equipment.

### Accessory option

- Cyclone dust separator, exhaust air filter, magnetic base and blower inlet filter are optional.
- Hot air recycler, suction box, hopper magnetic, Euro-type floor stand and storage hopper are optional.
- Safety protective ladder is optional for SHD-1500U and models above.
- SHD-U-HD heatless dehumidifying hot-air dryer, fit with heatless regenerative device, which can supply dried air with relative low dew-point to speed up materials drying.
- SHD-U-HD heatless dehumidifying hot-air dryer, standard equipped with hot air recycler which can save energy effectively. Without dust discharging, the dryer does little harm to the environment.

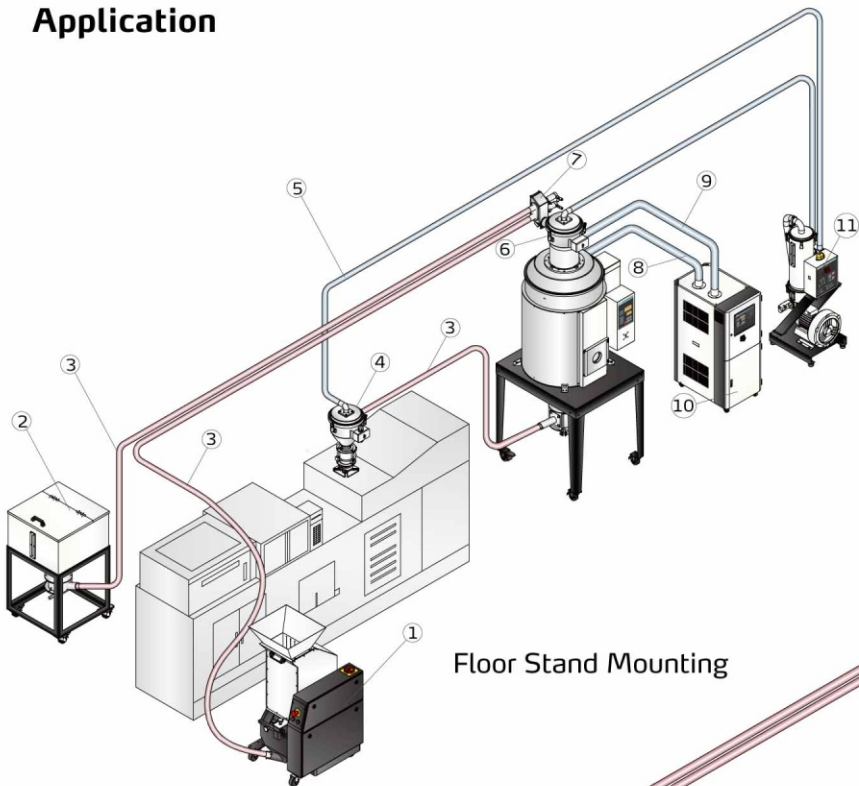


Shut-off Suction Box



SHD-1500U &  
Protective Ladder (Optional)

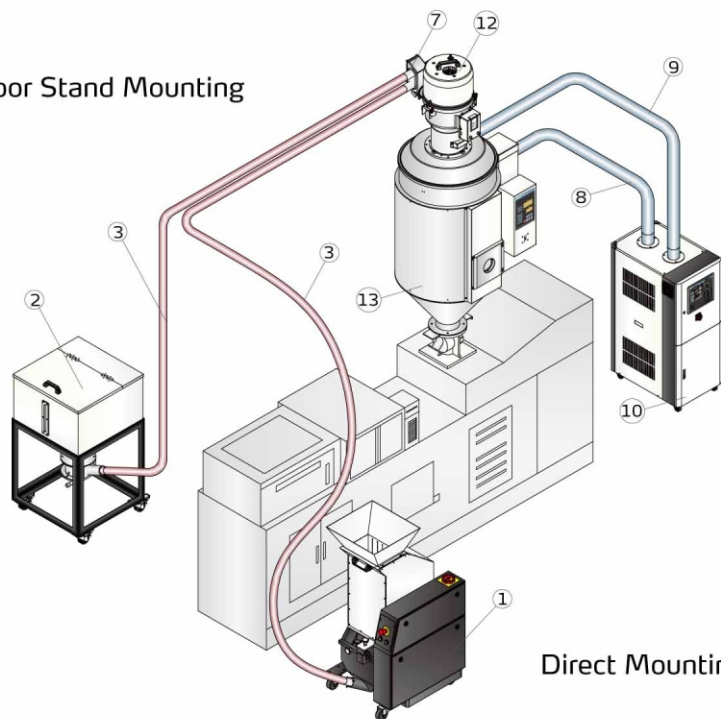
## Application



1. Low-speed granulator
2. Material tank
3. Material pipe
4. Photosensor hopper
5. Vacuum pipe
6. Vacuum hopper
7. Proportional valve

Floor Stand Mounting

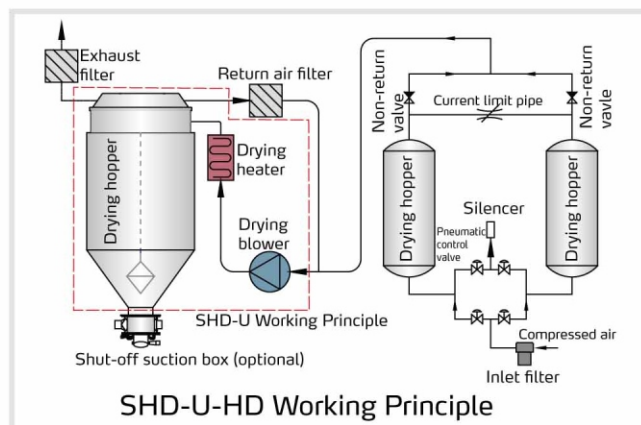
8. Dehumidifying air
9. Return air
10. Honeycomb dehumidifier
11. Separate auto loader
12. Auto loader
13. Hopper dryer



Direct Mounting

## Working Principle

Air blown out of drying blower becomes high temperature drying air after being heated. Through particular down-blowing air pipe, hot air can be equably dispersed in the material storage tank. Hot air recycler can be equipped to filter and recycle the air from the air outlet and form a closed loop circle.



# SHD-U Series

## Options

### Material Suction Box

European style appearance design, work with dryer that has floor stand and vacuum loader, suitable for material suction and discharging.



Applied to Model	SHD-20U-120U	SHD-160U and above
SBU	-20-38S	-160-38S
SBU	-20-50S	-160-50S
SBU	-20-38D	-160-38D
SBU	-20-50D	-160-50D

- Notes: 1) Install pneumatic shut off valve ( add "V" at the end of model code).  
 2) Change into stainless steel model (add "S" at the end of model code).  
 3) Suction box inside polished (add "P" at the end of model code).  
 4) Single tube suction box ( add "S" at the end of model code),  
 Double tubes suction box (add "D" at the end of model code).

### Magnetic Base



Including aluminum and stainless steel types which can work with dryers to effectively absorb metal scraps to avoid material contamination.

Model	Applied to	Hopper Magnet	Aluminum Holder
MB-12	SHD-20U	MR-3	(88.5×78×2.3)×2
MB-20U			
MB-50	SHD-40U-120U		(88.5×78×2.3)×2
MB-40U			
MB-100	SHD-160U-450U		(118.5×105×2.3)×2
MB-160U			

Notes: "U" represents stainless steel base.

### Hopper Magnet

Absorb metal scraps in the material to avoid the damage of molding screw.



Model	Applied to	Aluminum Holder
MR-5	SHD-20U	(148 × 80 × 2.3) × 2
MR-7	SHD-40U-80U	(190 × 80 × 2.3) × 2
MR-9	SHD-160U-600U	(240 × 80 × 2.3) × 2
MR-11	SHD-900U and above	(298 × 80 × 2.3) × 2

### Floor Stand

Support dryer and hopper loader, easy for installation and transportation.



Applicable to SHD-20U~750U

Model	Applied to	Dimension (mm)		
		L	W	H
FSU-20	SHD-20U	550	450	790
FSU-40	SHD-40U	580	450	790
FSU-80	SHD-80U / 120U	722	552	840
FSU-160	SHD-160U / 230U	795	652	920
FSU-300	SHD-300U / 450U	930	790	970
FSU-600	SHD-600U / 750U	1200	1000	1130

### Blower Inlet Filter

Effectively filters 80% of the dust contained in the air to dryer to avoid pollution.



Model	Filter Barrel Dia. (mm)	Air Inlet Pipe Dia. (inch)	Air Outlet Pipe Dia. (inch)	Applied to	Fixed Plate	Blower Flange (with Air Quality Adjustor)
AIF-20U	160	1.5	2	SHD-20U	SHD-20U	for 0.12kW Blower
AIF-40U	160	1.5	2	SHD-40U	SHD-40U	for 0.12kW Blower
AIF-80U	225	2	3	SHD-80U/120U	SHD-80U/120U	for 0.12kW Blower
AIF-160U	225	2.5	3	SHD-160U/230U	SHD-160U/230U	for 0.18kW Blower
AIF-300U	225	2.5	4	SHD-300U/450U	SHD-300U/450U	for 0.25kW Blower
AIF-600U	225	3	4	SHD-600U/750U	SHD-600U/750U	for 0.55kW Blower
AIF-900U	225	4	4	SHD-900U	SHD-900U/1200U	for 0.55kW Blower
AIF-1200U	225	4	4	SHD-1200U	SHD-900U/1200U	for 1.1kW Blower
AIF-1500U	260	5	5	SHD-1500U/2000U	SHD-1500U/2000U	for 3kW Blower
AIF-2500U	340	6	6	SHD-2500U/3500U	SHD-2500U/3500U	for 5.5kW Blower
AIF-4000U	340	8	8	SHD-4000U/5000U	SHD-4000U/5000U	for 7.5kW Blower
AIF-5500U	420	8	8	SHD-5500U/7000U	SHD-5500U/7000U	for 12kW Blower
AIF-8000U	420	10	10	SHD-8000U	SHD-8000U	for 22kW Blower

### Hot Air Recycler

Work with hopper dryer to make hot air form a semi closed circulated loop, it has features as follows: Hot air recycling and circulating to avoid indoor temp. rising up; Keep air in factory clean and ensure product quality; Save energy consumption up to 40% due to heat brought from hot air recycling; Economical and compact design make it suitable for all hopper dryers; Air supply is adjustable.



Model	Filter Barrel Dia. (mm)	Air Inlet Pipe Dia. (inch)	Air Outlet Pipe Dia. (inch)	Applied to	Fixed Plate	Blower Flange (with Air Quality Adjustor)
HAR-20U	160	1.5	2	SHD-20U	SHD-20U	for 0.12kW Blower
HAR-40U	160	1.5	2	SHD-40U	SHD-40U	for 0.12kW Blower
HAR-80U	225	2	3	SHD-80U / 120U	SHD-80U / 120U	for 0.12kW Blower
HAR-160U	225	2.5	3	SHD-160U / 230U	SHD-160U / 230U	for 0.18kW Blower
HAR-300U	225	2.5	4	SHD-300U / 450U	SHD-300U / 450U	for 0.25kW Blower
HAR-600U	225	3	4	SHD-600U / 750U	SHD-600U / 750U	for 0.55kW Blower
HAR-900U	225	4	4	SHD-900U	SHD-900U / 1200U	for 0.55kW Blower
HAR-1200U	225	4	4	SHD-1200U	SHD-900U / 1200U	for 1.1kW Blower
HAR-1500U	260	5	5	SHD-1500U/2000U	SHD-1500U/2000U	for 3kW Blower
HAR-2500U	340	6	6	SHD-2500U/3500U	SHD-2500U/3500U	for 5.5kW Blower
HAR-4000U	340	8	8	SHD-4000U/5000U	SHD-4000U/5000U	for 7.5kW Blower
HAR-5500U	420	8	8	SHD-5500U/7000U	SHD-5500U/7000U	for 12kW Blower
HAR-8000U	420	10	10	SHD-8000U	SHD-8000U	for 22kW Blower

### Exhaust Air Filter

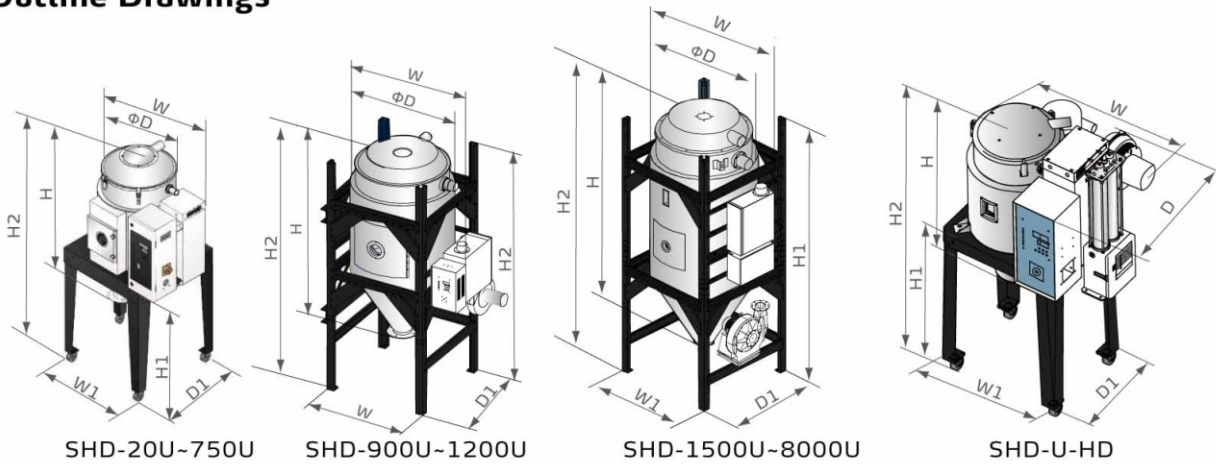
Effectively filters 90% of the dust contained in the air from dryer to avoid pollution.



Model	Filter Barrel Dia. (mm)	Air Inlet Pipe Dia. (inch)	Air Outlet Pipe Dia. (inch)	Applied to	Fixed Plate
ADC-20U	159	1.5	2	SHD-20U	SHD-20U
ADC-40U	159	1.5	2	SHD-40U	SHD-40U
ADC-80U	225	2	3	SHD-80U/120U	SHD-80U/120U
ADC-160U	225	2.5	3	SHD-160U/230U	SHD-160U/230U
ADC-300U	225	2.5	4	SHD-300U/450U	SHD-300U/450U
ADC-600U	225	3	4	SHD-600U/750U	SHD-600U/750U
ADC-900U	225	4	4	SHD-900U/1200U	SHD-900U/1200U
ADC-1500U	260	5	5	SHD-1500U/2000U	SHD-1500U/2000U
ADC-2500U	340	6	6	SHD-2500U/3500U	SHD-2500U/3500U
ADC-4000U	340	8	8	SHD-4000U/5000U	SHD-4000U/5000U
ADC-5500U	420	8	8	SHD-5500U/7000U	SHD-5500U/7000U
ADC-8000U	420	10	10	SHD-8000U	SHD-8000U

# SHD-U Series

## Outline Drawings



## Specifications

Model	Heater Power (kW)	Blower (kW)	Hopper Capacity (L)	Dimension (mm) H × W × D	Floor Stand (mm) H1 × W1 × D1	H2	Air Inlet Pipe (inch)	Air Outlet Pipe (inch)	Net Weight (kg)
SHD-20U	2.2	0.05	20	730×575×325	790×450×550	1260	2	1.5	40
SHD-40U(-HD)	3	0.12	40	760×790×394	790×580×450	1300			70
SHD-80U(-HD)	3.9	0.12	80	940×885×472	840×730×560	1480	2.5	2	85
SHD-120U(-HD)	3.9	0.12	120	1210×885×472	840×730×560	1740			100
SHD-160U	6	0.18	160	1225×822×575	920×652×795	1825	3	2.5	90
SHD-230U	6	0.18	230	1505×822×575	920×652×795	2105			100
SHD-300U	12	0.25	300	1450×945×695	970×790×930	2085			130
SHD-450U	12	0.25	450	1850×945×695	970×790×930	2435	4	3	160
SHD-600U	18	0.55	600	1820×1170×915	1130×1000×1200	2470			200
SHD-750U	18	0.55	750	2100×1170×915	1130×1000×1200	2780			220
SHD-900U	18	0.55	900	2173×1410×1050	2760×1130×1130	2765	4	4	410
SHD-1200U	24	1.1	1200	2598×1410×1050	3190×1145×1145	3190			560
SHD-1500U	32	3	1500	3170×1640×1250	3470×1340×1340	3470	5	5	685
SHD-2000U	32	3	2000	3590×1542×1250	3870×1340×1340	3870			770
SHD-2500U	58	5.5	2500	3735×1798×1400	4000×1482×1482	4000	6	6	800
SHD-3000U	58	5.5	3000	4135×1798×1400	4400×1482×1482	4400			900
SHD-3500U	64	7.5	3500	4535×1798×1400	4800×1482×1482	4800			1010
SHD-4000U	64	7.5	4000	4370×2010×1600	4550×1680×1680	4635	8	8	1160
SHD-5000U	80	11	5000	4860×2010×1600	5150×1680×1680	5235			1390
SHD-6000U	96	15	6000	4600×2250×1800	4870×1930×1930	4923			1530
SHD-7000U	112	18.5	7000	5830×2250×1800	5370×1930×1930	6330	10	10	1735
SHD-8000U	128	22	8000	6030×2250×1800	5620×1930×1930	6425			1820

Notes: 1) Power: 3Φ, 230/400/460/575VAC, 50/60Hz.

We reserve the right to change specifications without prior notice.

## Shini Group

Addr.: No. 23, Minhe St., Shulin Dist.,  
New Taipei, Taiwan

Tel: +886 2 2680 9119

Fax: +886 2 2680 9229

Email: [shini@shini.com](mailto:shini@shini.com)

## Factories:

- Taiwan
- Dongguan
- Pinghu
- Ningbo
- Mumbai

2013-09-15-04 Copyrights Reserved.

[www.shini.com](http://www.shini.com)