



Central Granulator

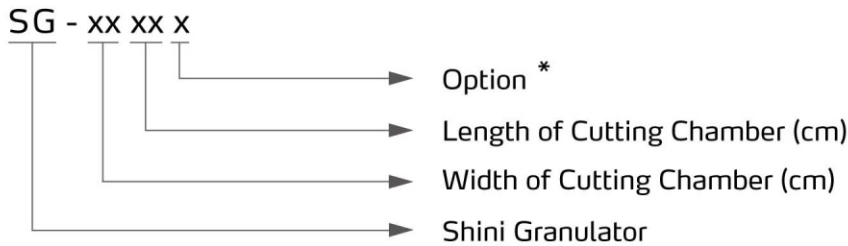
SG-70120 (Sound proof box is optional)



Refer carefully to this manual before operation.

SG-70 Series

■ Coding Principle



Notes: *

H=Higher Motor Power F=Fiber Reinforced Plastics

R=For Stainless Steel Made Feed Port and Storage Tank

FAD=Full-receiver Alarm Device

■ Features

Standard configuration

- Rotating cutters adopt newly developed V-type cutting technology which can send the feeding material into the center of rotating cutters so to prevent the material from adhering onto the inner side of the cutting chamber while enhancing its wearability.
- The cutters are made of imported high quality steel featuring wearability, high rigidity, long service life and reusable after re-sharpening.
- Equipped with presetting knife jig, rotating blades can be adjusted in the fixture outside the machine inside of machine instead of machine inside. It made blades adjustment must easier.
- Cutting chamber made of high rigidity material, after processing by CNC machine, has the features like high intensity, super wearability, no contamination, long service life and easy for maintenance and repairing.
- Sound-proof feeding box reduces the noise level in operation, also equips a safety material checking curtain which ensures no material sprinkling during granulating.
- V-type transmission belts help maintain a balanced operation mode, close contact, and also easy to disassemble and repair.
- Both feeding hopper and screen cradle can be opened and closed by a Electric handspike with self-lock function, which ensures safe operation.
- Cooling water device at the rear plate of cutting chamber can effectively cool down the cutting chamber and prevent the inside material from melting up.



V-Type Cutting Blades



Presetting Knife Jig

Accessory option

- Cyclone dust separator is available and the height of its floor stand can be adjusted to meet different requirements.
- Separate blower, conveyor and material side feed pipe are optional.
- Sound proof box of total seal type is optional for reducing noise

■ Application

SG-70 series granulators are applicable to granulate various kinds of plastic materials from injection molding, blow molding or extrusion molding. This series features compact design, easy operation and quick blade replacement. It is great in motor power, cutting chamber size, and output capacity. Gradually inclined cutting and integrated power design offers a better cutting effect and a lower noise level.

Different Cutting Angles for Different Materials

When granulating different kinds of plastic wastes, such as plates, frames, die head from injection molding, sprues and pipes, etc, SG-70 series have two kinds of cutting angles for different materials.

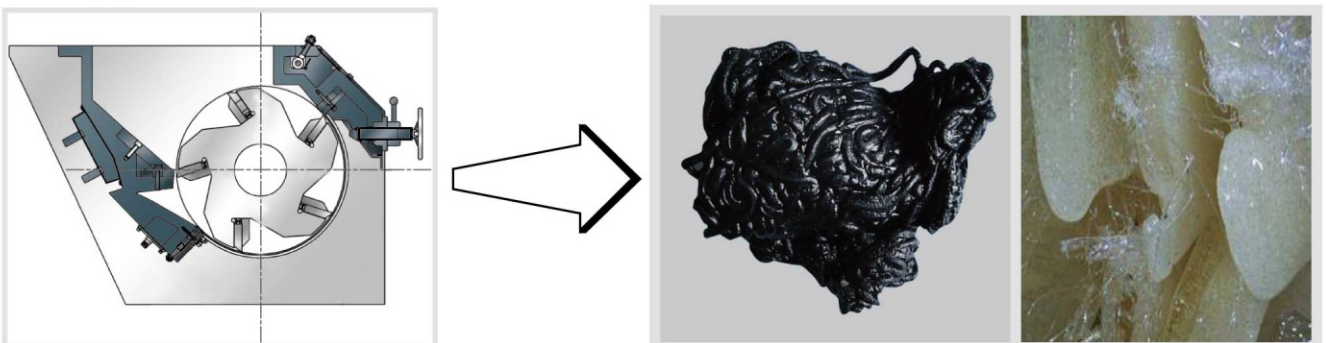
3 Rotating Blades and 2 Fixed Blades (Standard Type)

Two rows of fixed blades model has big inlet space and initially low cutting point. Material can be easily grabbed and cut thus making this rotor/housing combination ideal for the granulation of hollow objects such as bottles, crates and drums as well as large bulky materials.



5 Rotating Blades and 3 Fixed Blades

This semi-closed rotor has much smaller spaces between the blade rows thus preventing material from falling into the rotor and 3 fixed blades design which restricts the inlet opening and moves the initial cutting point higher in the machine, there is consequently a less aggressive cutting action meaning no blockage or rotor stall even under the most extreme conditions. These massive, extremely robust rotors are ideally suited for difficult, heavy duty applications such as start-up lumps and head waste, thick walled pipes, heavy sheets etc.



SG-70 Series

Options



Separate Conveying Blower

The blower stands outside the machine. Without restriction of the inner space of the machine, customer can choose different kinds of blowers.



Feeding Hopper for Conveyor

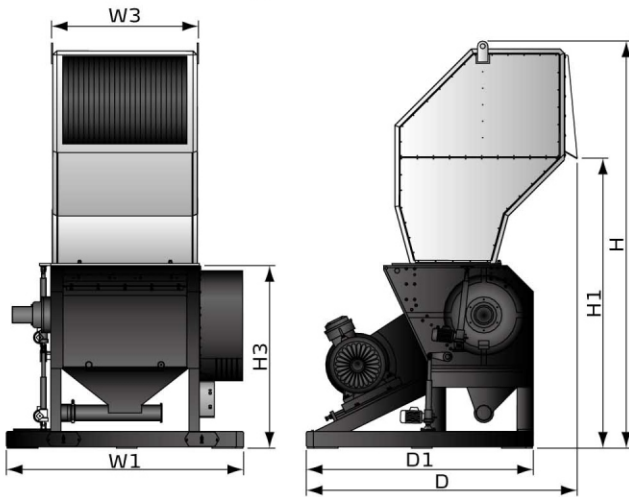
Material feeding for traditional large granulators is quite a difficult matter. They are generally installed at a lower place or a platform must be built for material feeding. Shini has particularly designed the belt conveyor to easily convey the material into the cutting chamber of SG-70 series.



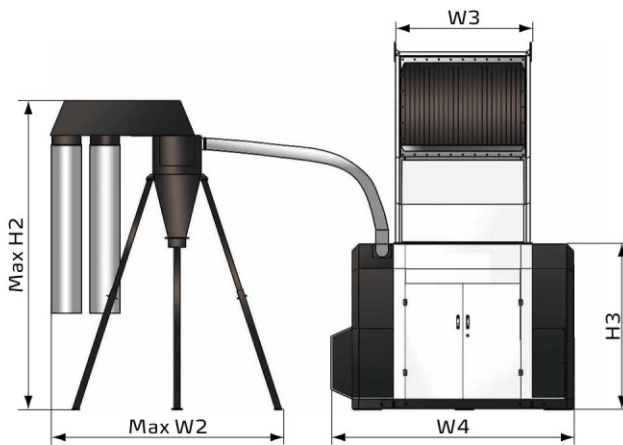
Material Side Feed Pipe

The design of feeding hopper of traditional granulators is not suitable for long pipes and section bars. We have designed material side feed pipe for convenient feeding of long materials.

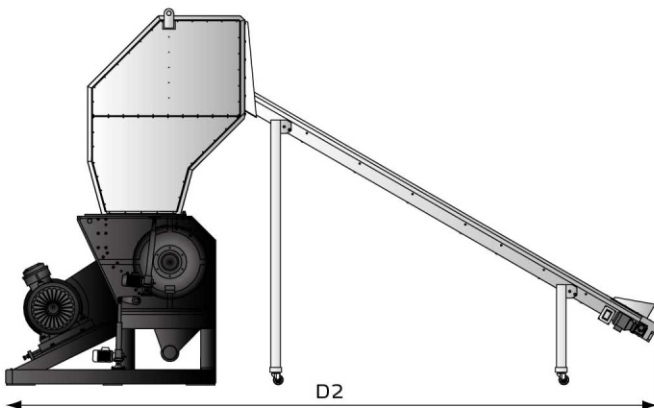
Outline Drawings



SG-70



Sound proof box is optional



Conveyor belt is optional

Specifications

Model	SG-7090	SG-70120
Motor Power (kW, 50/60Hz)	75	90
Rotating Speed (rpm, 50/60Hz)	525	525
Conveying Blower (kW, 50/60Hz)	4.0	5.5
Handspike Motor Power (kW, 50/60Hz)	0.25	0.25
Material of Blades	SKD11	SKD11
Quantity of Fixed Blades (Optional)	2 (3)	2 (3)
Quantity of Rotating Blades (Optional)	3 (5)	3 (5)
Cutting Chamber (mm)	700 x 900	700 x 1200
Max. Output (kg/hr)	1300	1800
Noise Level dB(A)	115	115
Regrind Conveyor	○	○
Cooling Water Device	✓	✓
Screen (Φ12 mm)	✓	✓
Flywheel	○	○
Presetting Knife Jig	✓	✓
Full-receiver Alarm Device	○	○
Dust Separator (DS-70)	○	○
Screen (Φ10, Φ14 mm)	○	○
Sound proof box	○	○
Dimension		
H (mm)	3950	3950
H1 (mm)	2815	2815
Max H2 (mm)	3153	3153
H3 (mm)	1770	1770
D(mm)	2625	2625
D1(mm)	2200	2200
D2(mm)	6840	6840
W1 (mm)	2000	2300
Max W2 (mm)	2400	2400
W3 (mm)	1120	1420
W4 (mm)	2220	2520
Weight (kg)	4000	4500

We reserve the right to change specifications without prior notice.

- Notes: 1) "✓" stands for standard configuration, "○" stands for optional.
 2) When full-alarm device is equipped, add FAD at model behind.
 3) SKD11 is steel grade of Japanese JIS standard.
 4) Maximum output is subject to the diameter and material of screen mesh. For granulating frame and shell material, maximum output will be reduced about 50%.
 5) Noise level varies with different materials and motor type.
 6) Noise level is tested under conditions of 1m around the machine and 1.6m from the ground.
 7) To avoid plastics from sticking to the blades, all materials should be crushed at normal temperature.
 8) Power supply: 3Φ, 230/400/460/575VAC, 50/60Hz.

Shini Group

Addr.: No. 23, Minhe St., Shulin Dist.,
New Taipei, Taiwan

Tel: +886 2 2680 9119

Fax: +886 2 2680 9229

Email: shini@shini.com

Factories:

- Taiwan
- Dongguan
- Pinghu
- Ningbo
- Mumbai

2013-09-15-04 Copyrights Reserved.

www.shini.com