



Screenless Granulators



SG-2427N

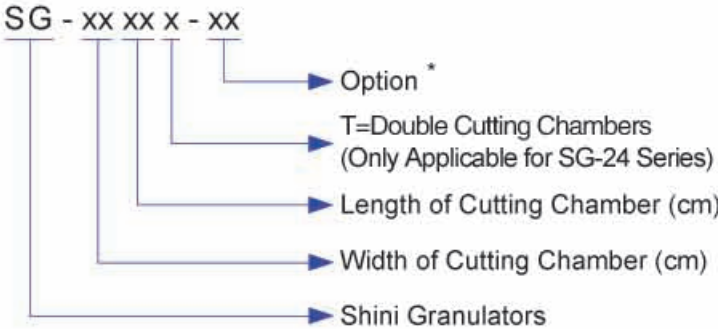


Refer carefully to the Manual before using products.



SG-14/24/24T

■ Coding Principle



SG-1417



SG-2446T

Note: *
VR=Loading by High Pressure Air BR=Loading by Bolwer
BC=Blower Conveying & Cyclone Dust Collector
DS=Dust Separator H=Higher Motor Power
R=For Stainless Steel Made Feed Port and Storage Tank
CE=CE Conformity

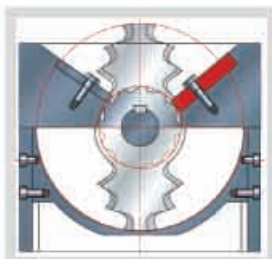
■ Features

Standard configuration

- SG-14/24 series German-made gear motor features steady performance, long service life and high torque.
- SG-24T series have two German-made gear motors and two cutting chambers working simultaneously to provide reliable performance and high torque.
- SG-14/24 series teeth cutters and cutting blades are integrally fitted in one cutting chamber. SG-24T series feature integral design of double teeth cutters and cutting blades. Staggered blades make the initial cutting and teeth cutters reduce the materials into desired size. Regrinds could be used with virgin materials.
- New-type inclined teeth cutter reduces the possibility of stress concentration, enhance bearing capacity and converts force direction so that cutter lifespan can be prolonged.
- SG-14/24T series motor shaft and rotor shaft are connected by shaft coupling thus ensuring smooth cutting action and convenient motor replacement.
- SG-24 series unique synchronous transmission belt ensures smooth running of the machine and low noise level.
- When motor blockage occurs, the machine will alarm visibly and enable motor to run reversely. It resumes normal operation automatically after the trouble is clear.
- European type appearance, compact in size and easy to access for cleaning and maintenance.
- Transparent PC feeding hopper.
- Screenless design, well-proportioned size of regrinds and least amount of dusts. Regrinds could be used with virgin materials.

Accessory option

- 30-second instant recycling system, regrind conveying via blower & cyclone, dust separator, manual storage bin and full-receiver alarm device.



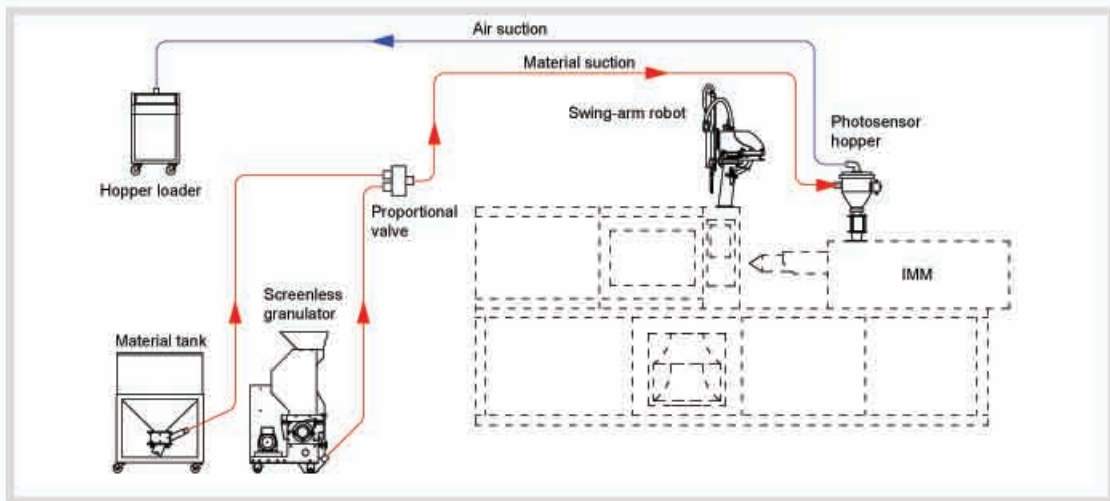
Section View of Trapezoid Teeth Cutter



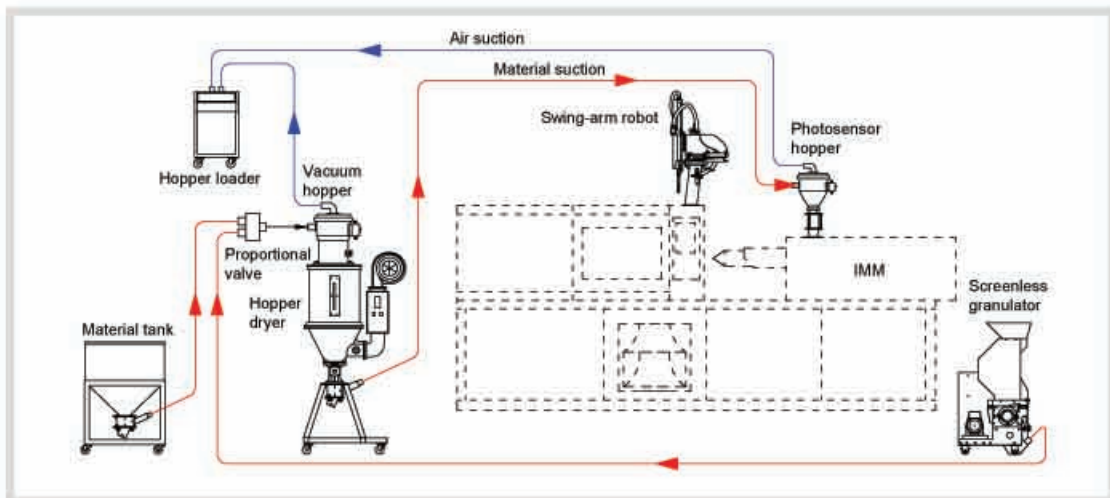
Double Teeth Cutters

■ Application

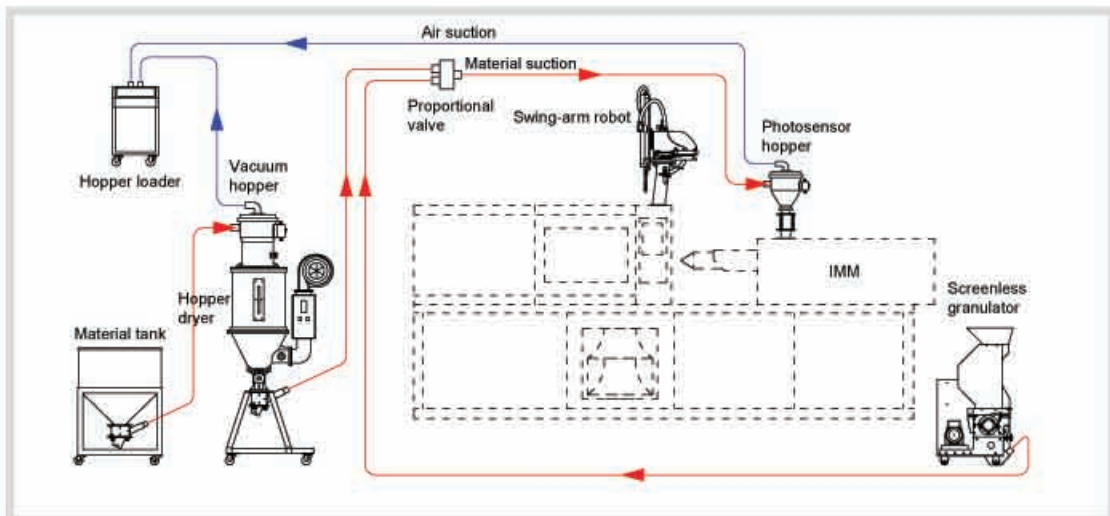
SG-14/24/24T series granulators operate in super low speed to cut materials into well-proportioned granules. There are least dusts produced in the cutting process. Multiple security devices ensure high safety grade; automatic reverse running function ensures continuous operation. This series of screenless granulators are suitable for granulating hard and thick materials. For SG-24T series, there are two gear motors and two cutting chambers to work simultaneously. It can granulate the sprues and waste material, also is capable of granulating long and thin or tough sprues.



Application 1



Application 2



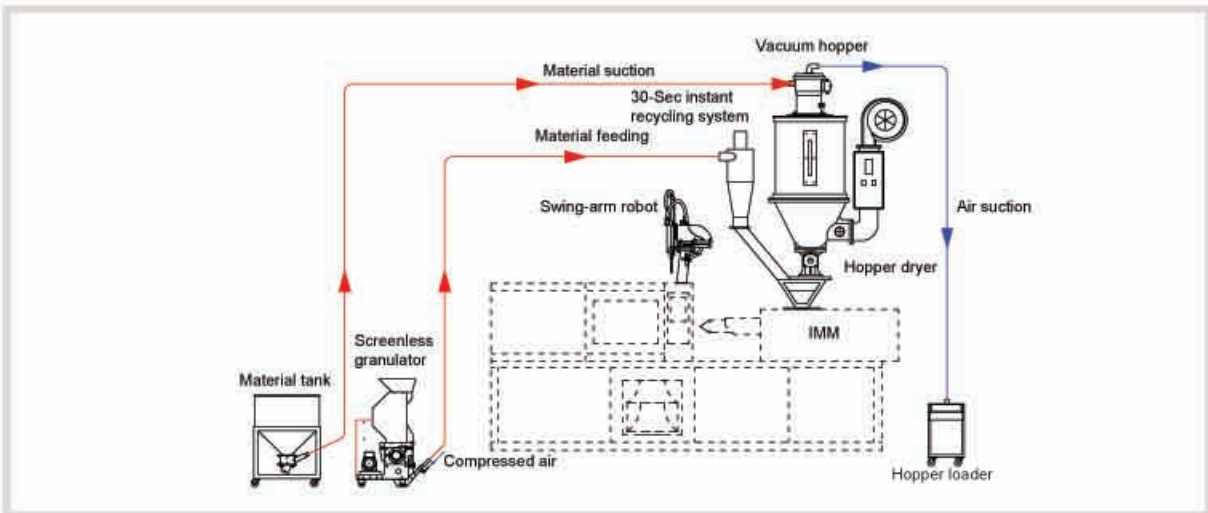
Application 3

SG-14/24/24T

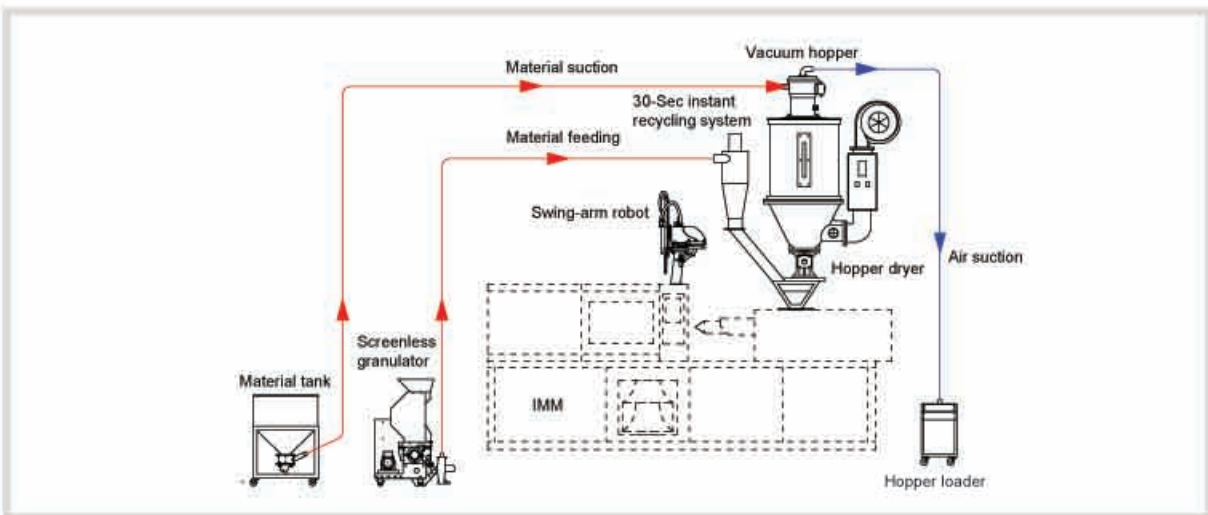
Options

30-Sec Instant Recycling System (Patented Product)

30-Secs instant recycling system utilizes high pressure air to easily convey the regrind material within storage box to "new and regrind material proportion governor" to get mixed and recycled, so to keep it from quality and color changing by oxidation or damping. Applicable to SG-24/24T series.



VR Type 30-Sec Instant Recycling
(Especially suitable for white and transparent material)



BR Type 30-Sec Instant Recycling

Regrind Conveying via Blower & Cyclone (BC Type)



This device utilizes loading blower to convey regrind into the cyclone dust collector to separate the regrind from the air and then the regrind will fall into storage hopper or cloth bag. Applicable to SG-24/24T series.

Dust Separators (DS Type)



Dust Separator (DS type) can separate the dust within the regrind for immediate recycle use. The dust will be kept in filter bag, thus working environment will be maintained clean. The filtered dust size can be adjusted via adjusting valve. This device ensures full use of regrind to avoid material wasting and enhance the economical returns. Applicable to SG-24/24T series.

Proportional Valves

Proportional valves mix regrind and new materials in a proper proportion, and then send them back to the IMM. It features easy installation and excellent accuracy. For details, please refer to the brochure of SPV-U. Applicable to SG-24/24T series.



Full-receiver Alarm Devices

Full - receiver alarm device enables the machine to run without any man standby and saves the material by avoiding regrind overflow due to no inspection. Whenever the regrind reaches the level motor position, the machine will be forced to stop and via its sensor to cut off circuit, thus stop the granulator and remind the user by sounding the buzzer.

Applicable to SG-24/24T series (except SG-2417).

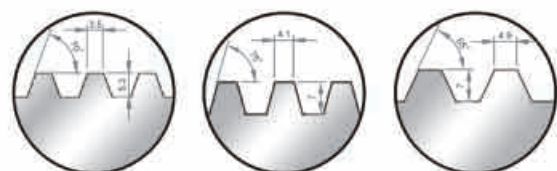


Manual Collection Bins

Manual collection bin helps to collect and store regrind. Applicable to SG-24/24T series.



Teeth Cutters



Narrow

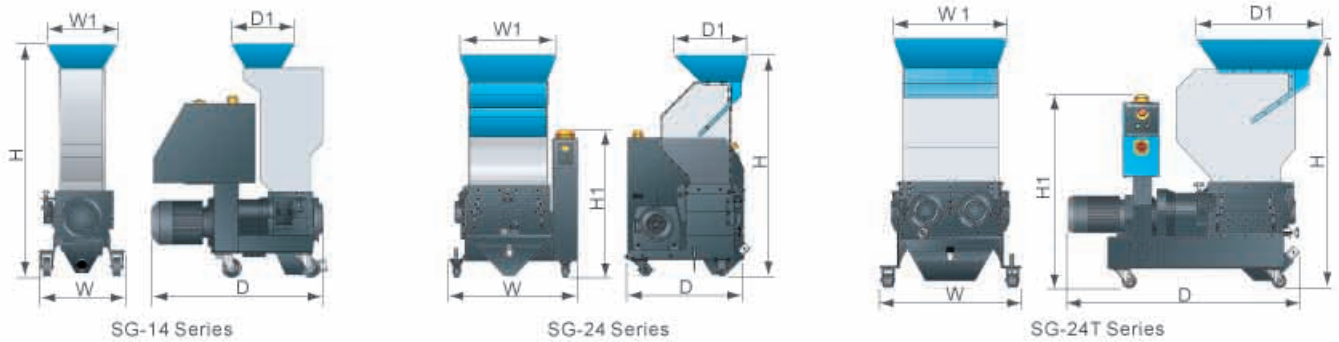
Standard

Dilated

Note: Plastic granule size after granulating is 4mm(Narrow), 5mm(Standard) and 6mm(Dilated).

SG-14/24/24T

Outline Drawings



SG-14/24/24T Specifications

Model	SG-1411	SG-1417	SG-2417	SG-2427 (H)	SG-2436 (H)	SG-2446	SG-2427T	SG-2436T	SG-2446T
Motor Power (kW, 50/60Hz)	0.37/0.45	0.37/0.45	0.75/0.86	0.75/0.86 (1.5/1.75)	1.5/1.75 (2.2/2.55)	2.2/2.55	1.5x2/1.75x2	2.2x2/2.55x2	2.2x2/2.55x2
Rotating Speed (rpm, 50/60Hz)	26/32	26/32	26/32	26/32	26/32 (27/33)	27/33	27/33	27/33	27/33
Material of Teeth Cutters	SKD11	SKD11	SKD11	SKD11	SKD11	SKD11	SKD11	SKD11	SKD11
Number of Staggered Blade	1	2	1	2	3	4	5	7	9
Number of Teeth Cutters	2	3	2	3	4	5	/	/	/
Number of Large Teeth Cutters	/	/	/	/	/	/	5	7	9
Number of Small Teeth Cutters	/	/	/	/	/	/	2	2	2
Cutting Chamber (mm)	140 x 110	140 x 175	240 x 175	240 x 270	240 x 365	240 x 460	505 x 270	505 x 365	505 x 460
Max. Throughput Capacity (kg/hr, 50/60Hz)	2	3	3.5	6 (6.5)	8.5 (9)	11	15	20	25
Noise Level dB(A)	60-68	60-68	65-73	65-73	67-75	75-83	65-73	67-75	70-78
30-Secs Instant Recycling	/	/	○	○	○	○	○	○	○
Regrind Conveyor (BC Type)	/	/	○	○	○	○	○	○	○
Dust Separator	/	/	○	○	○	○	○	○	○
Level Detector	/	/	○	○	○	○	○	○	○
Proportional Valve	/	/	/	○	○	○	○	○	○
Manual Collection Bin	/	/	○	○	○	○	○	○	○
Dimensions									
H (mm)	1080	1280	1335	1335	1335	1335	1360	1360	1360
H1 (mm)	/	/	835	835	835	835	1060	1060	1060
W (mm)	290	290	480	576	672	768	773	773	773
W1 (mm)	235	235	290	386	482	578	620	620	620
D (mm)	740	785	700	700	700	700	1160	1269	1365
D1 (mm)	210	266	449	449	449	449	522	688	785
Weight (kg)	83	92	252	279 (303)	331 (369)	399	480	530	560

Note: 1) "○" stands for options.

- 2) For stainless steel made feed port and manual storage bin, add "R" at model behind.
- 3) Max. Capacity of the machine is subject to the size and composition of the material.
- 4) Noise level will vary with different materials and motor types.
- 5) SKD11 is JIS code number.
- 6) Teeth cutter with width of 3mm is standard, and 4mm is optional (SG-14).
Trapezoidal teeth cutter is standard; narrow and dilated one are optional (SG-14/24T).
- 7) For avoiding plastic to adhibit the blade, all materials should be crushed at normal temperature.
- 8) Power supply: 3Φ, 230 / 400 / 460 / 575VAC, 50 / 60Hz.

We reserve the right to change specifications without prior notice.



SHINI PLASTICS TECHNOLOGIES, INC.

Headquarters:

Shini Plastics Technologies, Inc.

No.23, Minhe St., Shulin Dist.,
New Taipei City 23852, Taiwan

tel: +886 2 2680 9119

fax: +886 2 2680 9229

email: shini@shini.com

Factories:

- Taiwan
- Dongguan
- Ningbo
- Pinghu
- Mumbai