

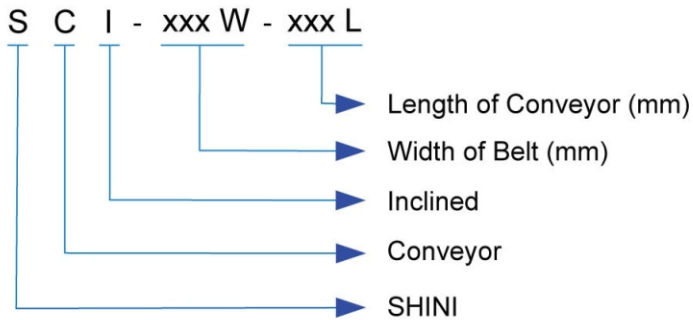


Inclined Belt Conveyor



SCI-300W-2000L

■ Coding Principle



SCI-300W-2000L Backside

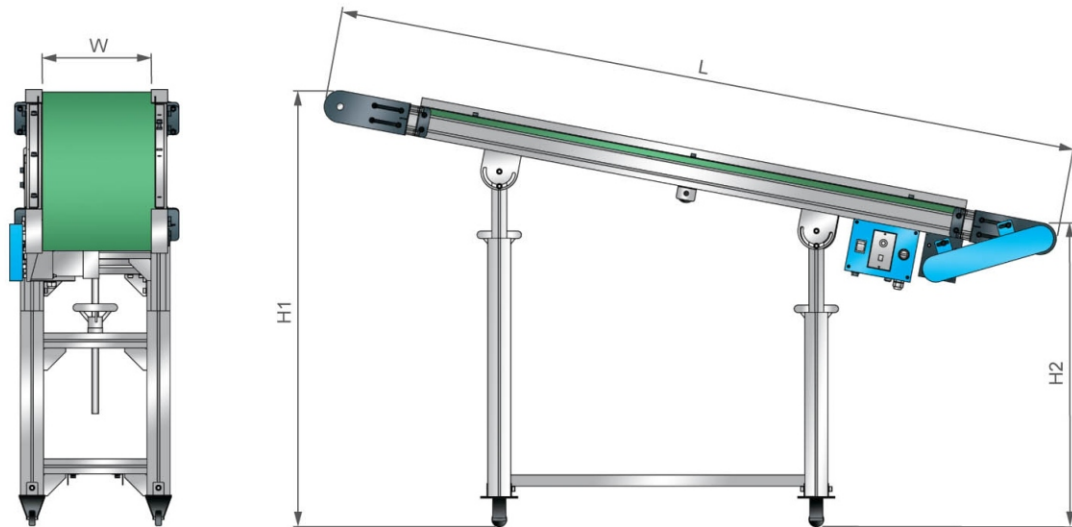
■ Features

- Introduced high strength aluminum alloy manufacturing, anodization of sand blast, elegant appearance.
- The workbench is made of high quality rubber materials. Protect products external appearance.
- The height of two ends can be easily adjusted by using hand-wheel.
- The bottom adopts universal casters with brake castors, fixed and move easily.
- The knob speeder can adjust freely, operate easily, convenient to use.
- With automatic and manual switching function, and not only can move with robot, but also work independently.
- Add robot standard connector, conveniently and quickly connect with robot.

■ Application

SCI series inclined belt conveyor is mainly used for transporting the products, can effectively enhance the work efficiency, protect the products appearance, can be connected with outside signal, keep working with automatic machine.

■ Outline Drawings



■ Specifications

Model	SCI – 200W	SCI – 300W	SCI – 400W	SCI – 500W	SCI – 600W
Width of Belt W (mm)	200	300	400	500	600
Length of Conveyor L (mm)	2000 / 3000 / 4000 / 6000				
Height of Higher End H1 (mm)	1000 ~ 1600				
Height of Lower End H2 (mm)	700 ~ 1000				
Max Load (with tool) (kg)	20 (Uniform)				
Max Speed (m/min)	12				
Belt Description	Material: PVC / Thickness: 2mm / Color: Green Rating of Temperature: -10°C~+80°C / Static-free, ard Wearing, Oil proof				
Power Source	AC220V ± 10V 50/60Hz				
Motor Rated Power (W)	60				

We reserve the right to change specifications without prior notice.



SHINI PLASTICS TECHNOLOGIES, INC.

Headquarters:

Shini Plastics Technologies, Inc.

No.23 Minhe St, Shulin Dist.,
New Taipei City 23852, Taiwan

tel: +886 2 2680 9119

fax: +886 2 2680 9229

email: shini@shini.com

Factories:

- Taipei
- Dongguan
- Ningbo
- Pinghu
- Mumbai